

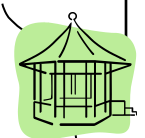
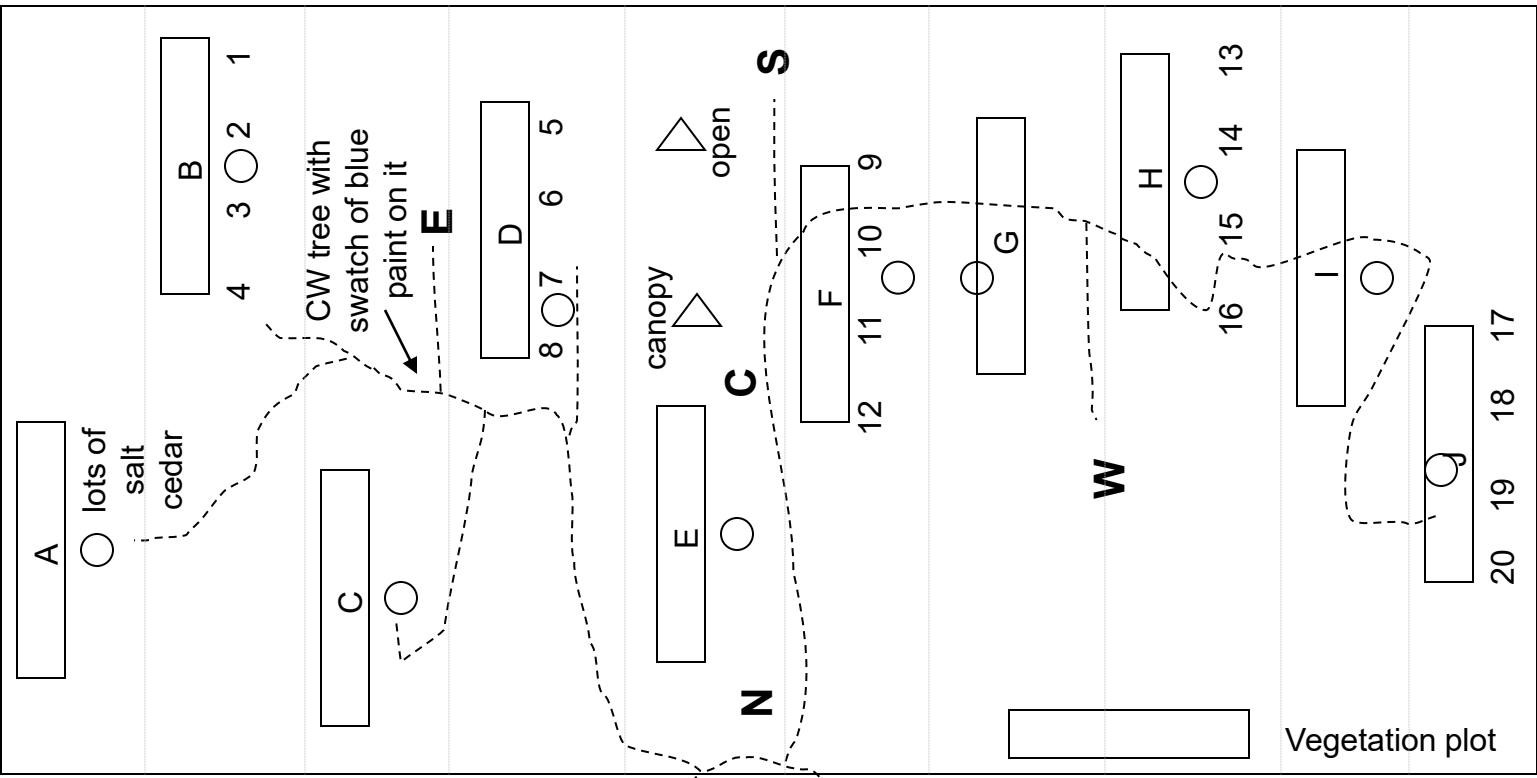
# Sevilleta BEMP Site

Rio Grande

North



100 meters



Rocks

200 meters

Rocks

1, 2, etc.

Pitfall traps

N, E, C, S, W

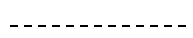
Groundwater well



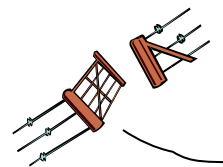
Litterfall tub



Rain gauge



Trail



Ditch location: at end of grating where turn wheel for ditch – lots of willows there